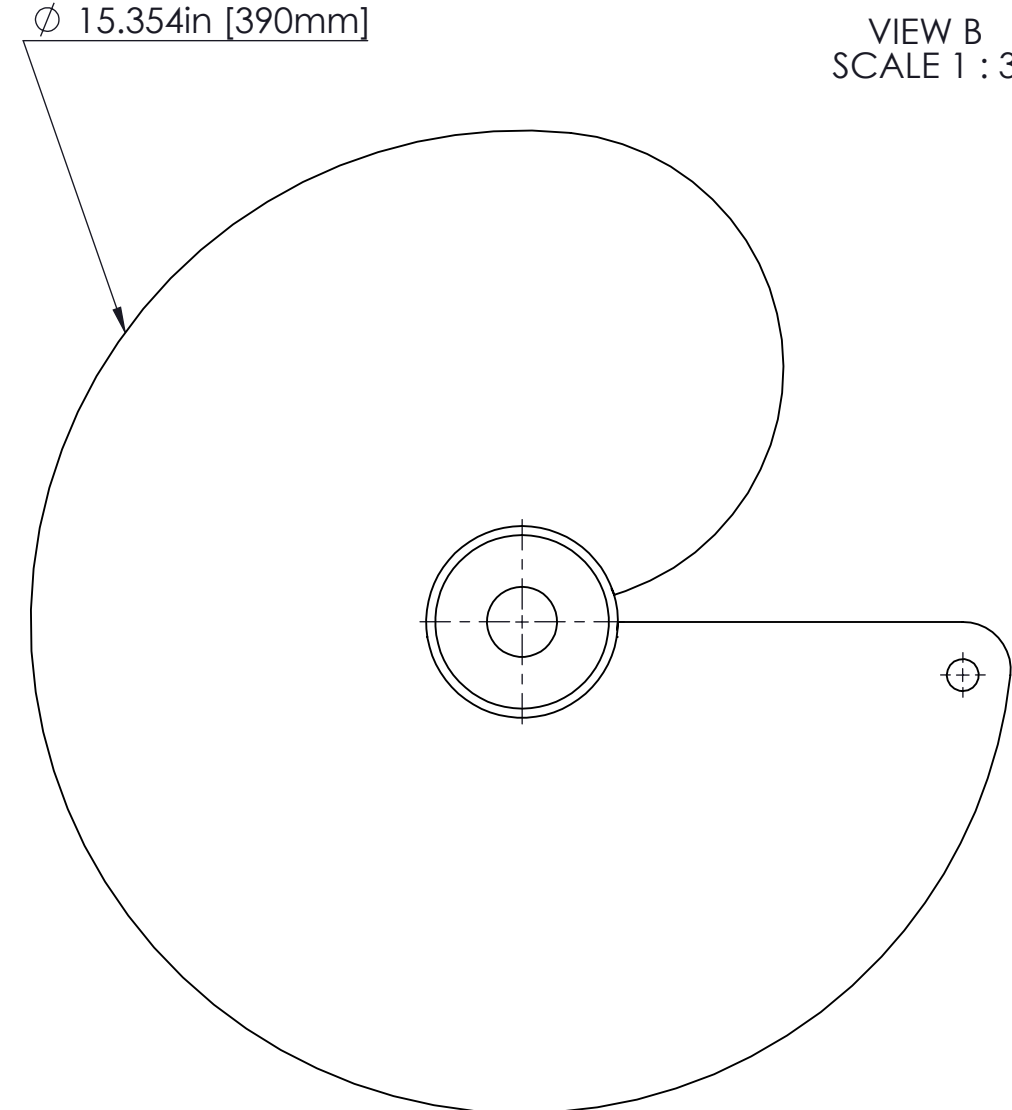



$\phi 2.996\text{in} [76.1\text{mm}]$
 $0.142\text{in} [3.6\text{mm}]$
 $\phi 0.472\text{in} [12\text{mm}]$
 $2 \times \phi 0.709\text{in} [18\text{mm}]$

$118.110\text{in} [+1.000 -3.000] [3000\text{mm} +25.4 -76.2]$
 $2.559\text{in} [65\text{mm}]$
 $2.756\text{in} [70\text{mm}]$
 $0.787\text{in} [20\text{mm}]$
 $1.378\text{in} [35\text{mm}]$
 $9.055\text{in} [230\text{mm}]$
 $2.818\text{in} [71.6\text{mm}]$
 $0.197\text{in} [5\text{mm}]$
 $\phi 1.378\text{in} \pm 0.200 [35\text{mm} \pm 5.1]$

$\alpha 3$
 90°



 Malina Solar Structures <small>a division of Cargrowell Ltd.</small> 131 LAKE ROAD, BOWMANVILLE, ONT. CANADA, L1C 4P8	DWG NO: 0005-390-76-3.6-3000	REV. -
	DRAWN: C.SENIS	DIMENSIONS : INCHES TOLERANCES: FRACTIONAL: $\pm 1/32$ ANGULAR: $\pm 1^\circ$ 0.00: ± 0.015 0.000: ± 0.005 0.0000: ± 0.0005
	DATE: 6/16/2016	
	SCALE: 1:5	SIZE B
		SHEET 1 OF 1