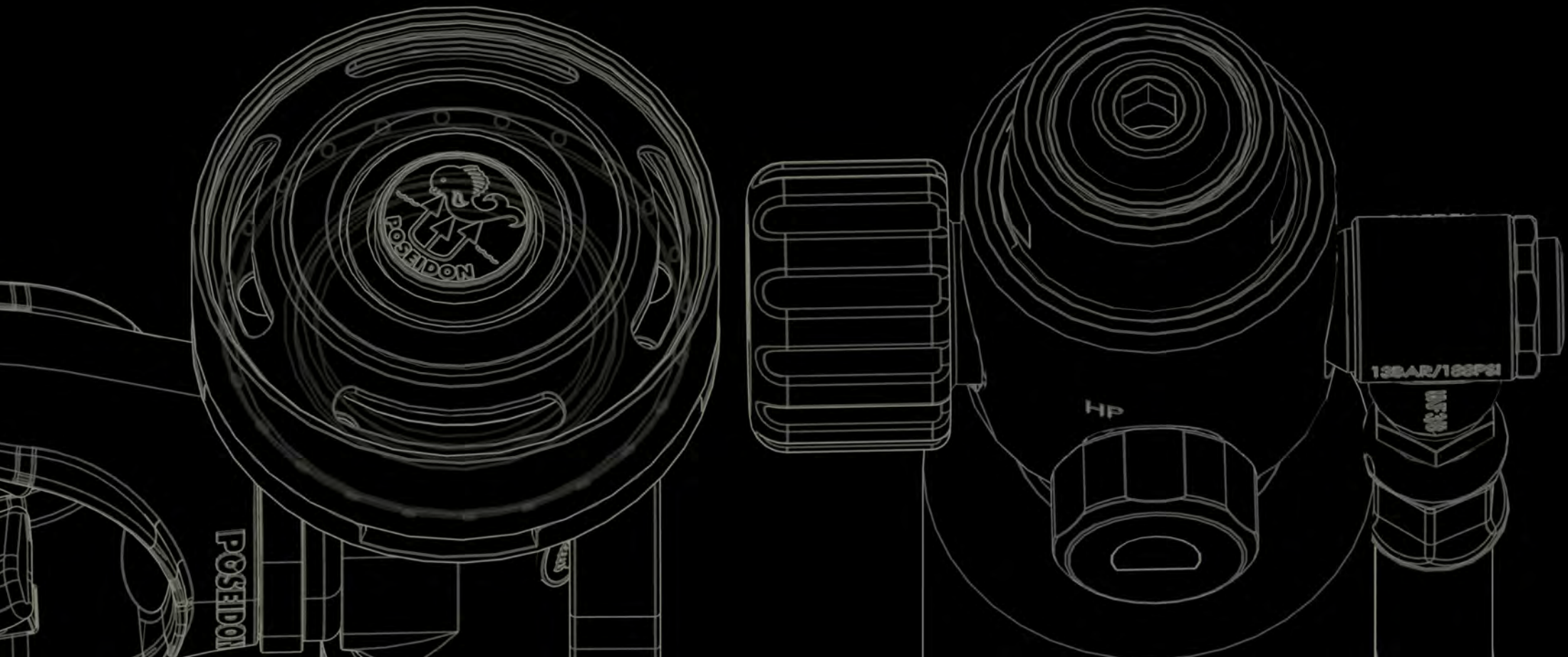




POSEIDON EBS MKII / SEA AIR EBS MKII  
USER MANUAL  
VERSION 1.3





## The Poseidon EBS MkII / Sea Air EBS MkII

This **Poseidon EBS MkII/Sea Air EBS MkII** (Emergency Breathing System) is a **Category A Escape device Compressed air system**.

Before use always check **position 10-12** on page **5 and 6** in this manual.

**Complete** service of the Poseidon EBS should be made every **24th month** or if the EBS is used in training purpose the complete service should be made every **6th month** by **Poseidon Diving System AB** or approved service station/person.

The Poseidon EBS is intended for use **only as an emergency device** to assist aircrew members or passengers in making an emergency egress from a submerged aircraft. Due to its limited air volume, it is not intended egressing from depths greater than 10 meters.

Poseidon **article number 0140-010**.  
Manufactured by Poseidon Diving Systems AB.

All part in the EBS are individually tested according to **EN250 Cold**.  
The EBS unit is tested and approved according to **CAP1034**.

Poseidon Diving Systems AB  
Åkeredsvägen 1, SE-421 63 Västra Frölunda, Sweden  
Phone: +46 31 734 29 00

[www.poseidon.com](http://www.poseidon.com)

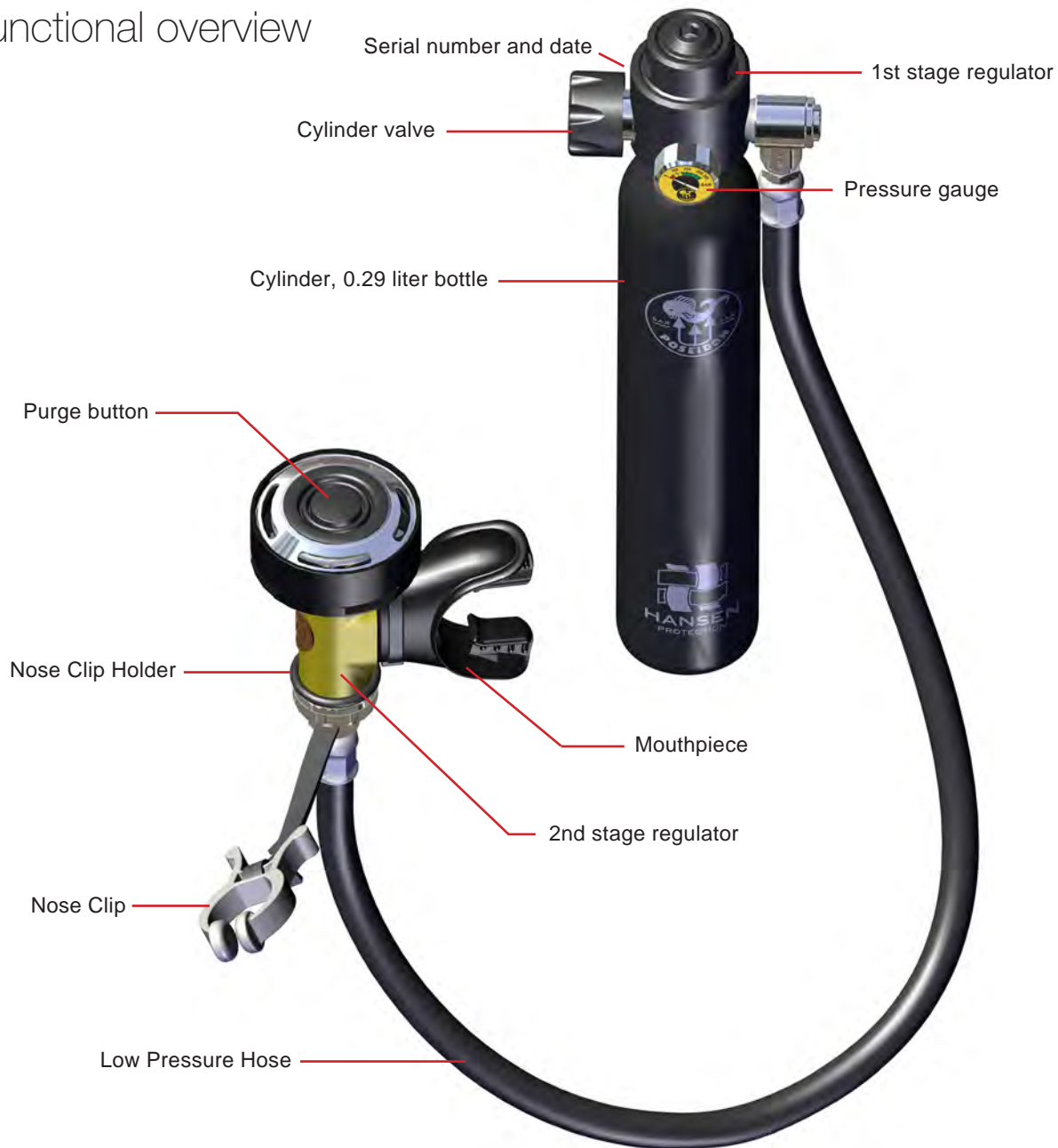


### WARNING:

Retain this manual for your reference. Review this manual periodically. Improper use, or misuse, of this device could result in serious injury or even death.



# Functional overview



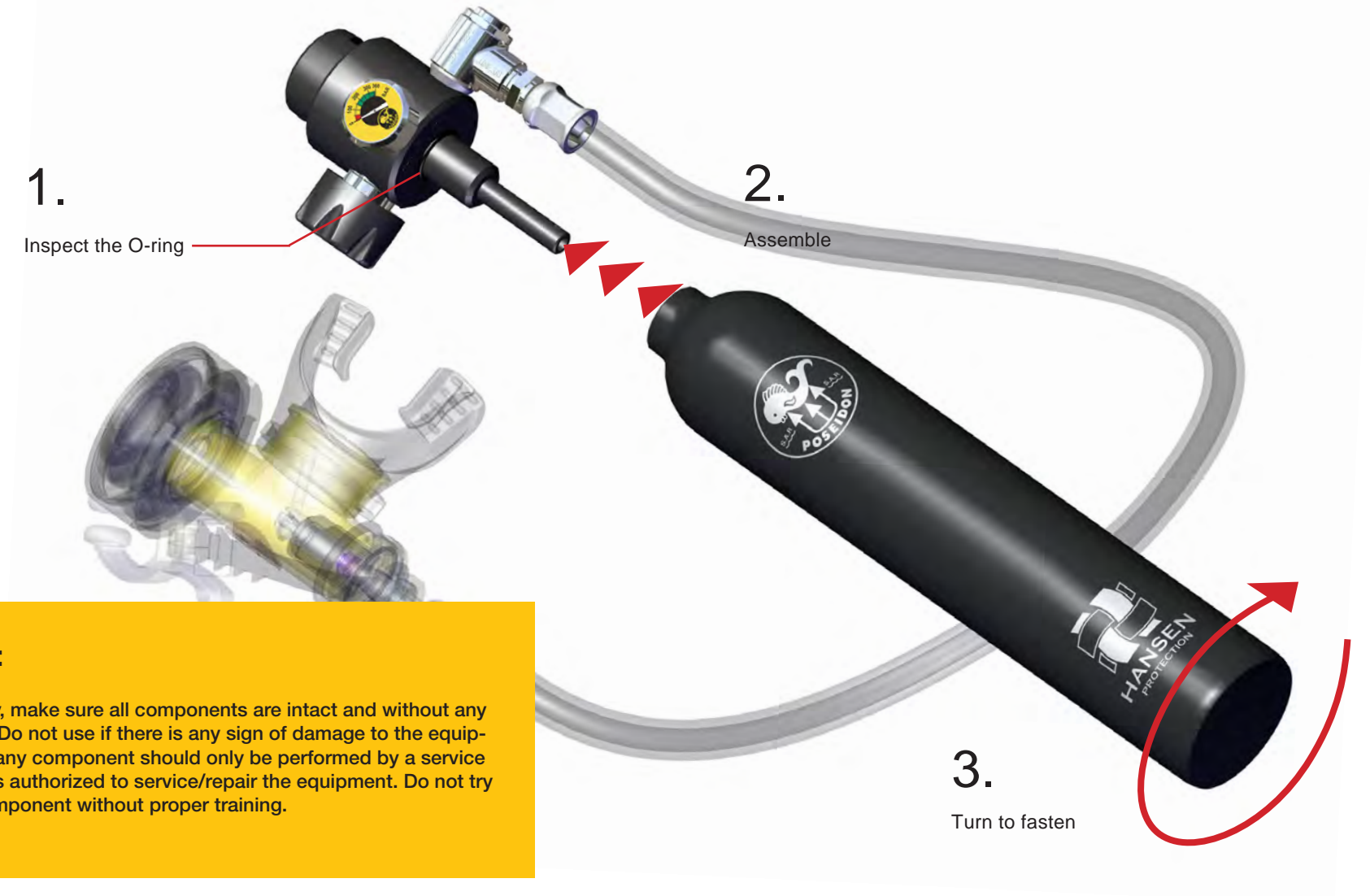
Cylinder valve in position OPEN  
Turning the valve handle **counter clockwise** until stop.



## Assembly

**Inspect** the **o-ring** on the 1st stage tank thread and make sure that sealing surfaces are **clean and** that the o-ring is **lubricated** with approved Poseidon product (art no 8516).

**Mount** the 1st stage on the 0,29 liter bottle **tight and firmly** (rec. 60 Nm).



### WARNING:

Before assembly, make sure all components are intact and without any visible damage. Do not use if there is any sign of damage to the equipment. Repair of any component should only be performed by a service technician that is authorized to service/repair the equipment. Do not try to repair any component without proper training.



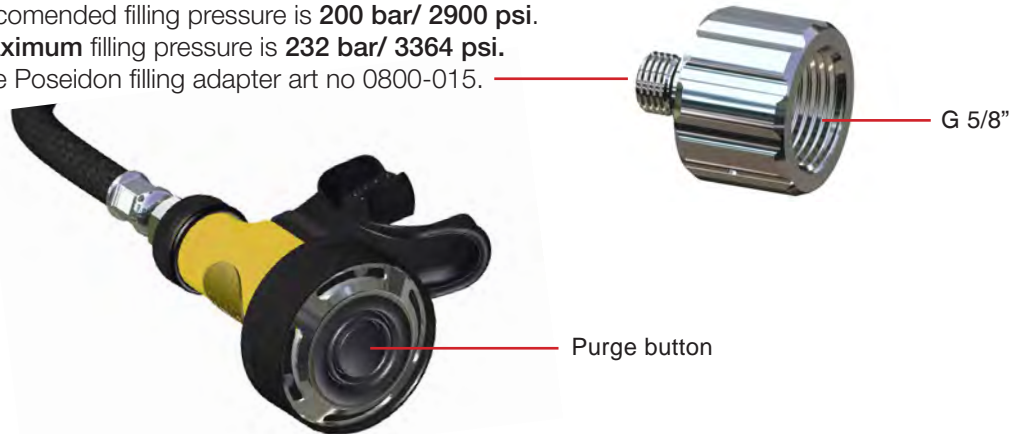
## Filling instructions

If the pressure is **200 bar or more** - go to position **11** on page **6**.

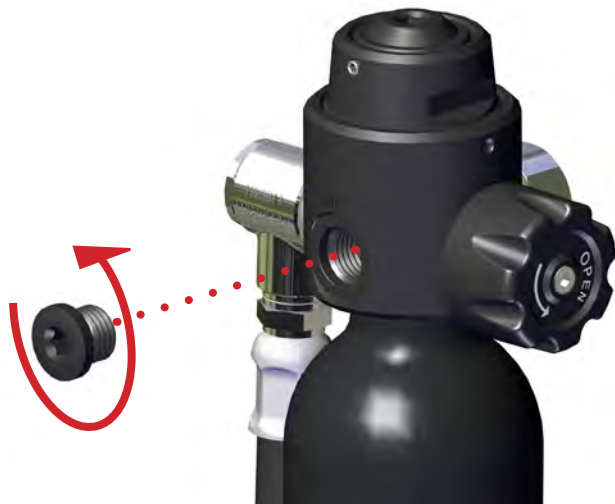
Recommended filling pressure is **200 bar/ 2900 psi**.

**Maximum** filling pressure is **232 bar/ 3364 psi**.

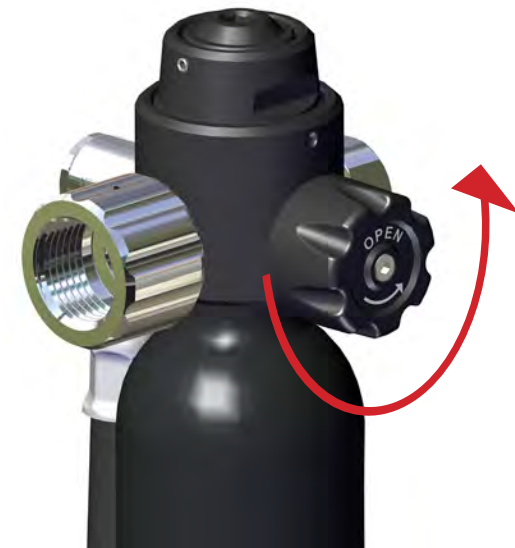
Use Poseidon filling adapter art no 0800-015.



1. **Close** the cylinder valve. **Press** the **purge-button** on the 2nd stage to ensure that the breathing apparatus is **depressurized** before the filling process begins.



2. **Remove the blanking plug** from the 1st stage.  
Inspect the O-ring and attach the filling adapter to the 7/16" HP port where the blanking plug was mounted. Make sure the filling adapter is **firmly attached**. Attach the filling hose to the G5/8" thread on the filling adapter.



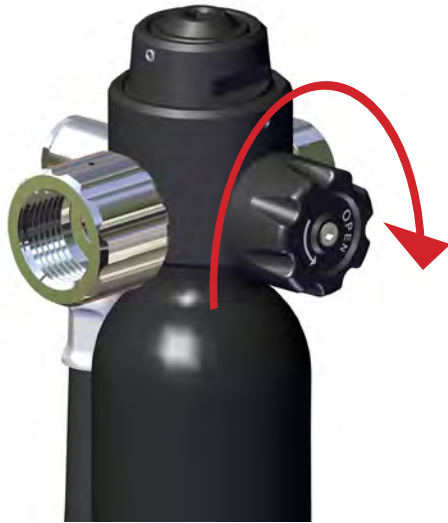
3. When the filling hose is **firmly attached** to the filling adapter, slowly **open** the valve on the 1st stage by turning the valve handle **counter clockwise**.
4. Slowly open the filling source valve and make sure there are **no leakage**. Fill the Poseidon EBS to **200 bar/ 2900 psi**. **Maximum filling pressure is 232 bar/ 3364 psi**.
5. When the Poseidon EBS is filled, **close** the valve on the filling source.

### WARNING:

Before you start filling the bottle, make sure you are well familiarized with these instructions.

Maximum pressure of 232 bar/ 3364 psi.

Failure to follow these instructions may lead to injury or death.

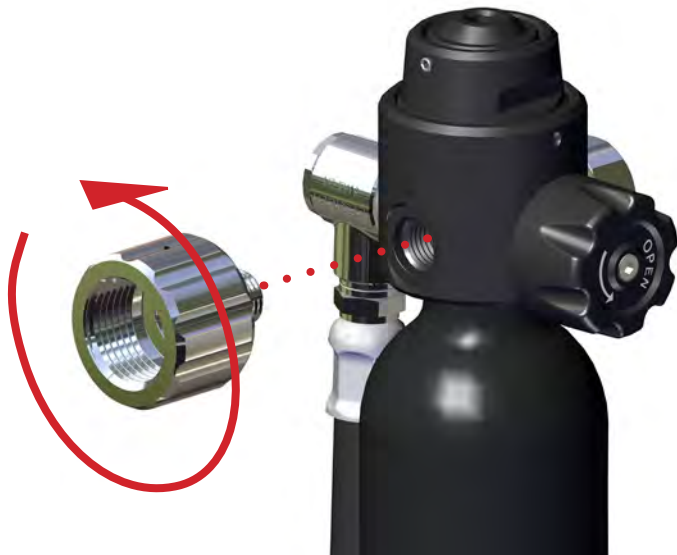


6. **Close** the valve on the Poseidon EBS

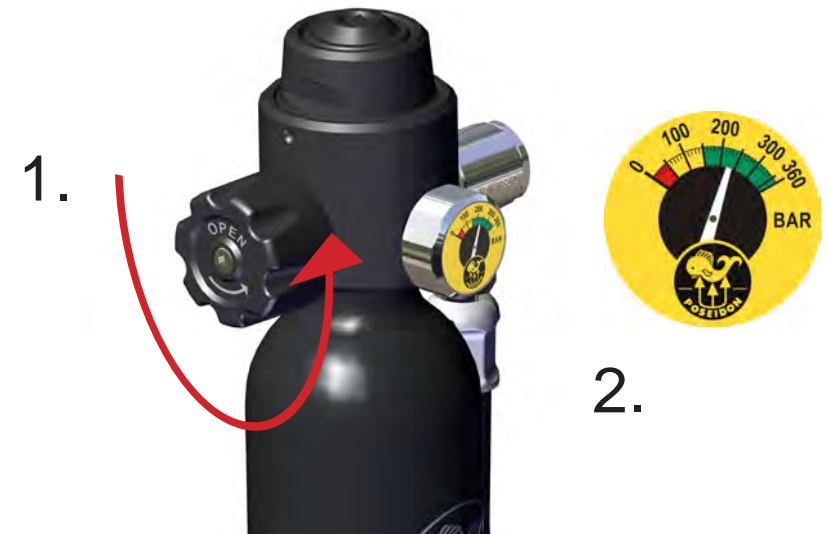
7. **Release** the pressure by using the purge button on the 2nd stage.



9. **Mount** the blanking plug in to the 7/16" HP port of the 1st stage and make sure it's **firmly attached**. Before mounting the blanking plug, **inspect the o-ring** to make sure it's without any flaws, make sure the o-ring is **lubricated** and that all sealing surfaces are **clean and undamaged**.



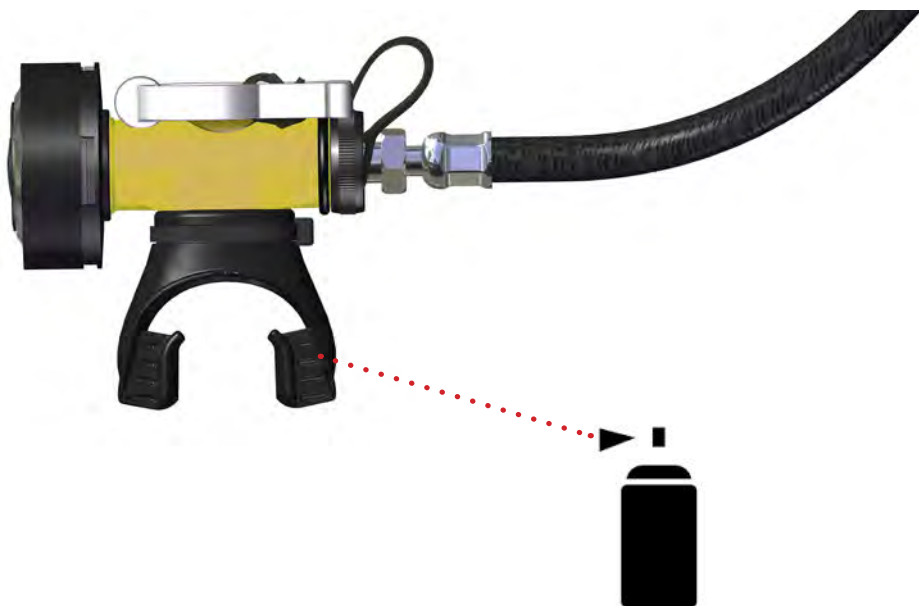
8. **Unscrew** the filling adapter/hose from the Poseidon EBS.



10. Open the valve [1] on the Poseidon EBS and check the pressure. If pressure is **150 bar/ 2176 psi** [2] it's **OK to use**. If the pressure is below 150 bar / 2176 psi, start the filling procedure from **pos 1 on page 4**.



11. Attach the Nose Clip **in correct position** on Nose Clip Holder.



12. Spray the mouthpiece with **GUARDIAN SUPERIOR™** disinfection, Art.no 0050-127 (or other Poseidon approved product). Use **2-3 sprays** and wipe with a cloth or piece of paper.



13. The **Poseidon EBS MkII/Sea Air EBS MkII** is now **ready for use**.

### WARNING:



Before use, make sure all components are intact and without any visible damage. Do not use if there is any sign of damage to the equipment. Repair of any component should only be performed by a service technician that is authorized to service/repair the equipment. Do not try to repair any component without proper training.



# Components



# Spare parts list

Part no.	Description
0131-001	Filling hose, 300-200 bar incl safety valve 225 bar
0400-123	Cylinder, Black 0,29 Liter, UNF 5/8"-18, 200 bar/2900 psi
001-95	Pressure gauge
0130-029	Low Pressure Hose 24"
0005-009	Mouthpiece
0050-127	Desinfection, Guardian Superior 100 ml
0009-013	Nose clip
0800-015	Filling adapter Poseidon EBS 7/16" - G5/8"
8516	Lubricant, tube 10 grams
0013-165	O-ring HP port, Presure gauge and blanking plug
0012-138	O-ring 1:st stage tank thread
0013-164	O-ring LP port (hose connection)
0010-112	O-ring, Nose Clip Holder