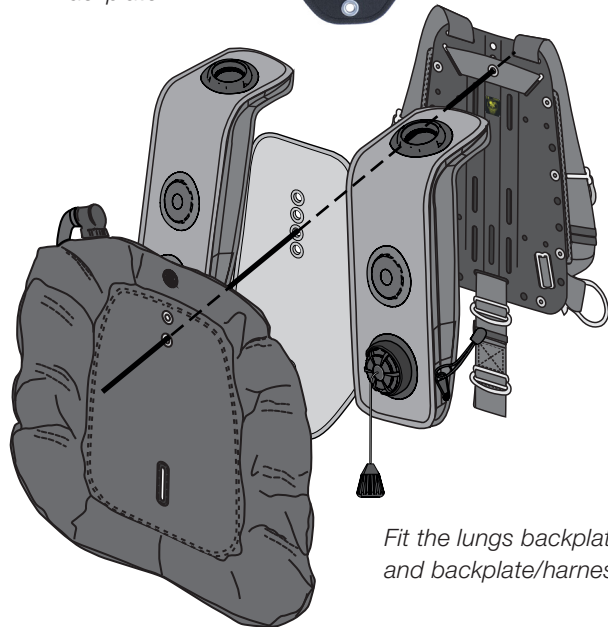


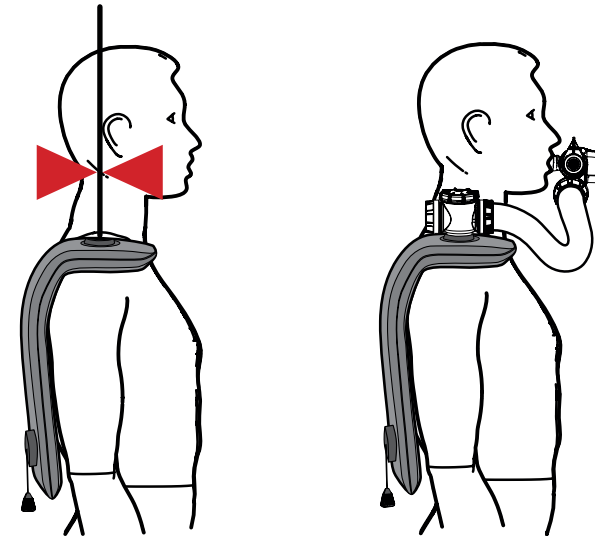


2 B. Assembly Back Mounted Counterlungs (BMCL)

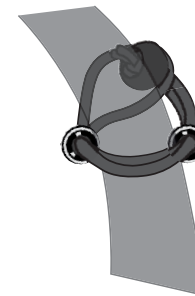
Back mounted counterlungs are designed to be mounted together with the back plate and wing.



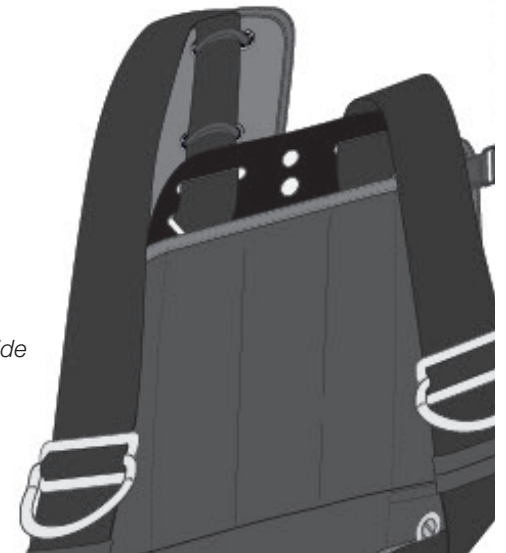
Fit the lungs backplate between the wing and backplate/harness



Mount the BMCL backplate in height on to the Wing/Harness plate so the counterlung ports is on the top of the shoulder when the equipment is fitted.

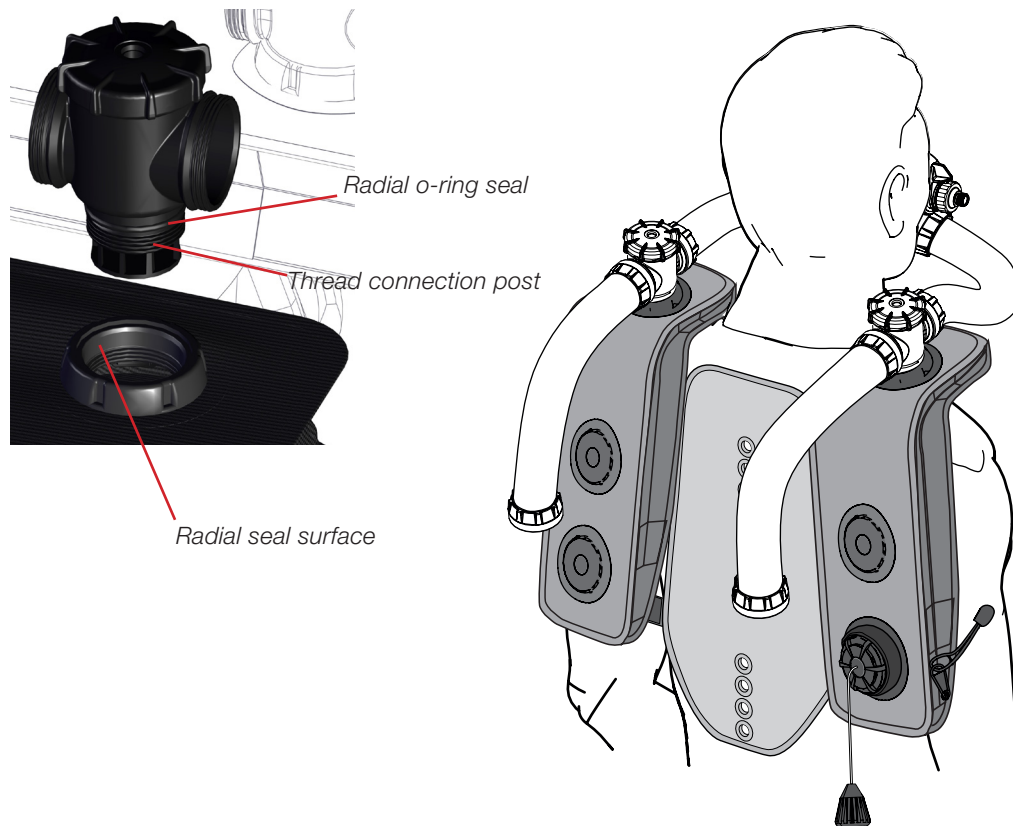


Loosen the bungee cord on the inside of the lung outer shell and thread it around the straps on the harness.



**T-connections.**

Connect the T-connection to the top port in each counterlung.



Insert the right hand water diversion manifold into the port on the right counterlung. Clockwise tighten the water diversion manifold into the right and left counterlung shoulder port.

Refer to chapter 1 section 4 and 5 for more information about how to connect the T-connections and CC hoses.