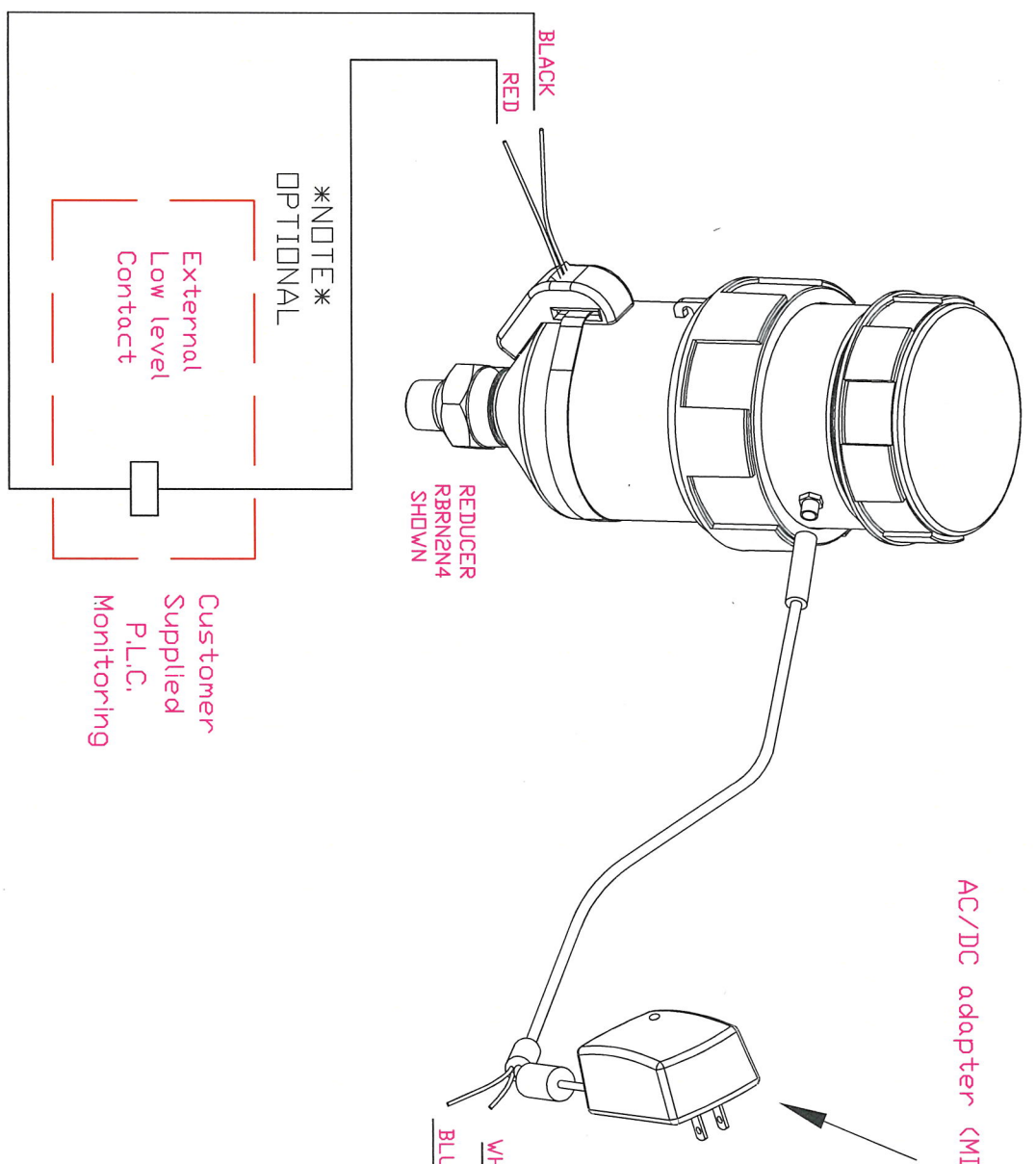
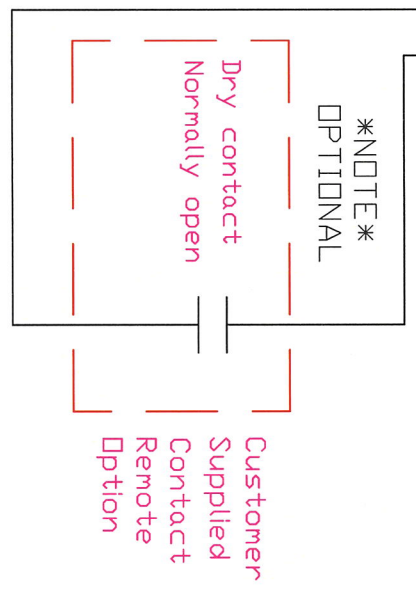
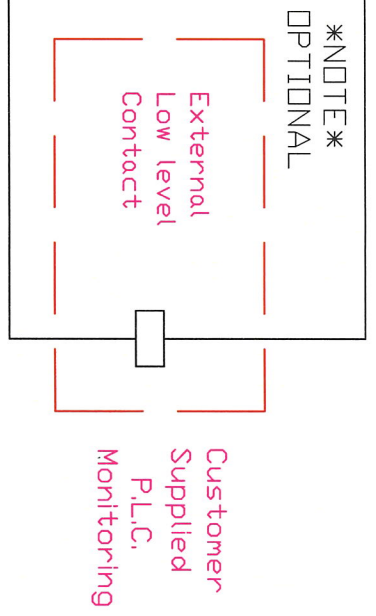
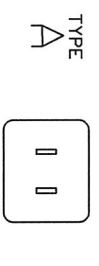


SHOWN = JACKLUBER 125CC MODEL



AC/DC adapter (MDPS-1)



NOT TO SCALE

NOTES:
MOTOR RUNNING CURRENT DRAW: 0.15 milliamps
MOTOR STARTUP CURRENT: 2.0 amps
Input: AC100-240V 50/60 Hz
Output: DC9V 3.0A

NOTE REMOTE CONTROL REQUIRES FACTORY INTERNAL WIRING, CUSTOMER REQUEST REQUIRED WHEN ORDERING.

A.T.S. ELECTRO-LUBE INTERNATIONAL INC.
7388 WILSON AVE.
DELTA, B.C. CANADA
PHONE: 1-800-663-8141
FAX: 1-800-663-8140
WWW.ATSELECTROLUBE.COM

APPROVED BY: STEPHAN D.
DATE: DEC-2015

REV.	ITEM	THIRD ANGLE PROJECTION	SCALE	CHK.	TEMP.