



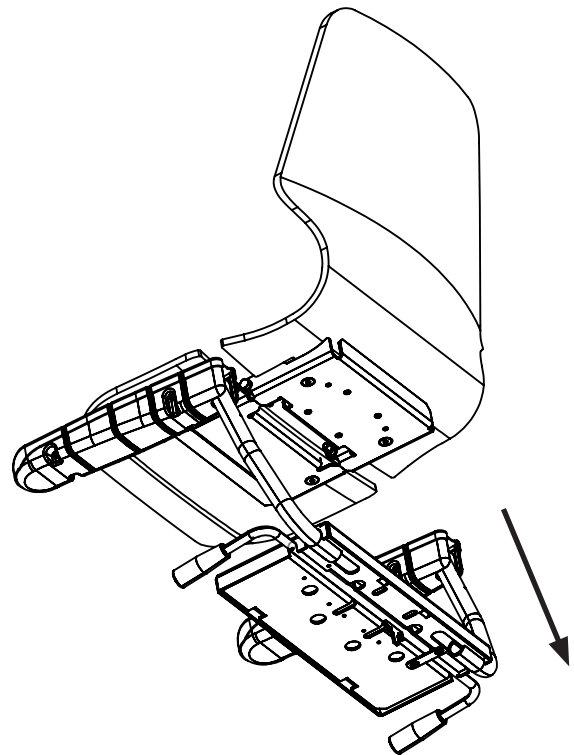
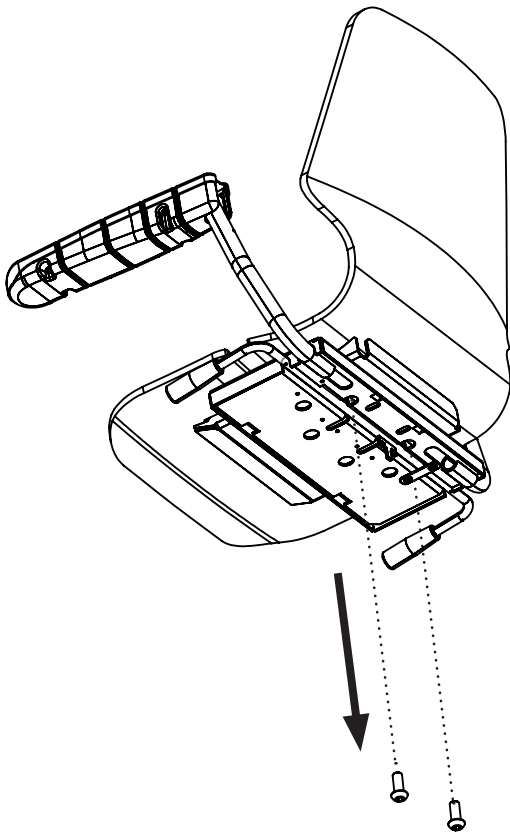
BESPOKE
STAIRLIFTS LTD



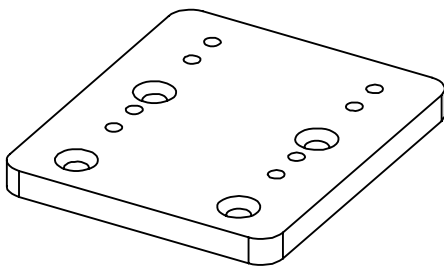
Space Saver Plate Installation

Step 1

Remove Arm Assembly
from Seat assembly



In the Box



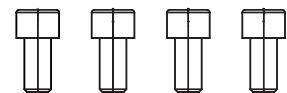
Space Saver Plate



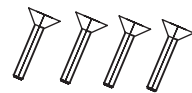
4x M8 Spring Washers



4x M8 Washers



4x M8x12 Capheads



4x M8x12 Countersunk

A

B

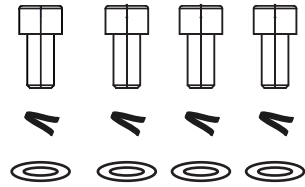
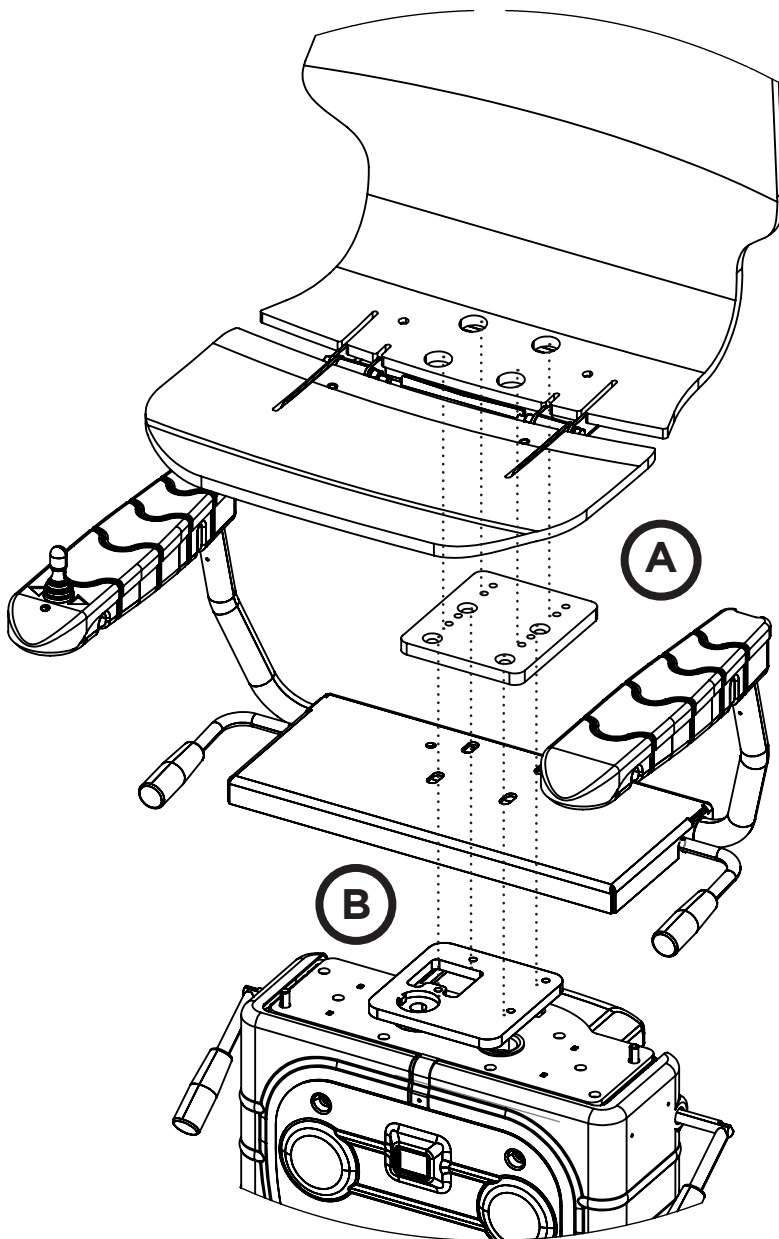


BESPOKE
STAIRLIFTS LTD



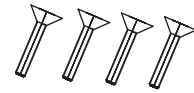
Space Saver Plate Installation

Step 2



A

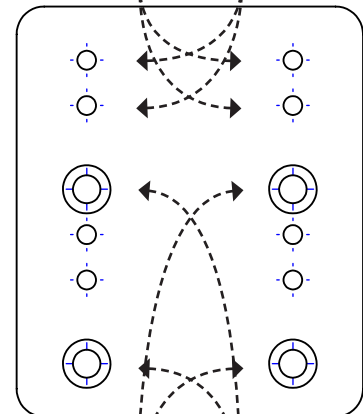
4x M8x10 Capheads
4 x M8 Spring Washers
4 x M8 Flat Washers



B

4x M8x50 Countersunk

Space Saving
Adjustment Holes



Boss Fixing Holes