

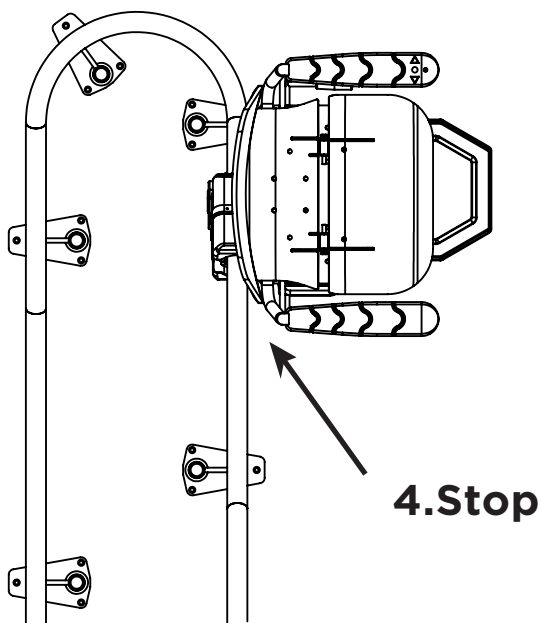
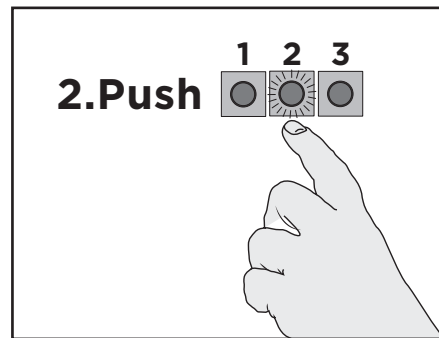
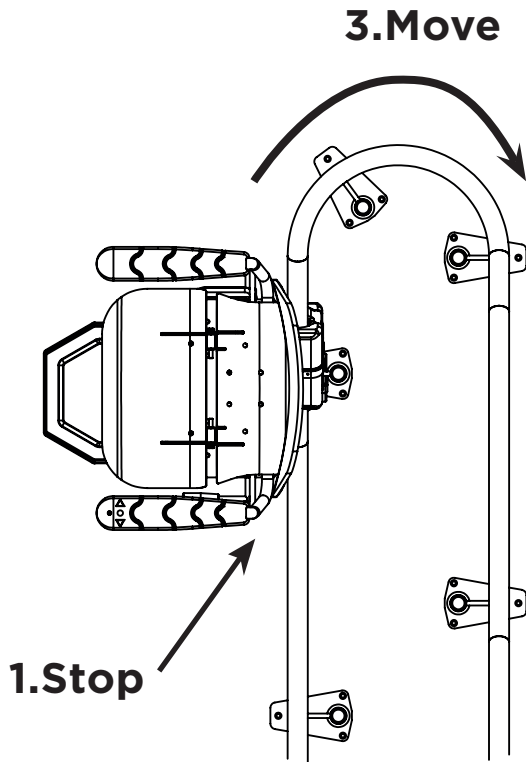


Method to Program the Bend Slowing Function

Note: The Infinity Stairlift must be programmed as normal; should slowing be required please use the following steps.

To slow The Infinity Stairlift when travelling around the bends the unit must be programmed the following way;

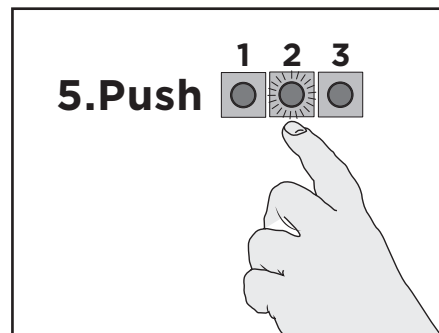
- Position the Stairlift where you would like to start the slowing function
- Push button '2' on the main PCB board until a beep is heard.



Move the Infinity Stairlift Around the bend to the position where you would like the slowing function to stop then;

- Push button '2' on the main PCB board until a beep is heard.

The unit will now be programmed to slow around the bend.



The Audible Diagnostics

The Audible diagnostics feature that can inform the engineer of any problems that The Infinity Stairlift has encountered during installation or in general use.

Depending on the problem The Infinity Stairlift emits a selection of loud beeps to indicate what the problem is enabling the engineer to pinpoint the fault and resolve quickly without the need of elimination of other potential faults

Fault	Audible Beeps
Safety Edges Left/Right	1 Beep
Chair Rotated	2 Beeps
Not Charging	3 Beeps
Invalid Move	4 Beeps
Friction Wheel	5 Beeps
Low Voltage	6 Beeps
Over Current	7 Beeps
OSG	Continuous Beeps
All Errors Will Repeat After a Long Pause	

