



CONCRETE, INC.

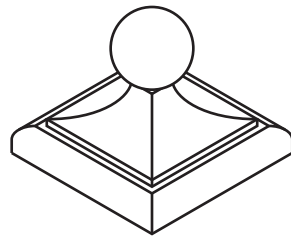
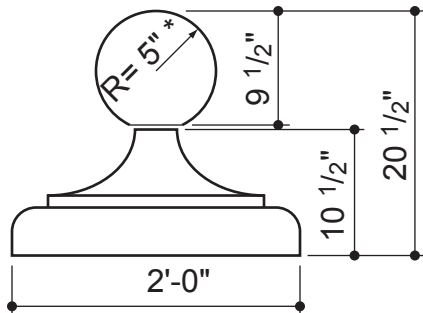
12672 WCR 6 1/4
 Ft. Lupton, CO 80621
 (303) 659-2800 Fax (303) 659-1460
 Toll Free (877) 263-3020

Visit our web site at www.arcoconcrete.com



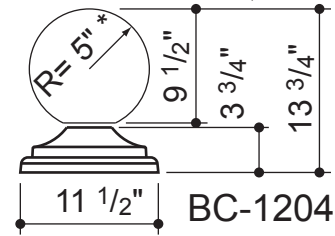
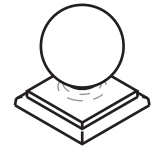
NPCA

Precast ... The Concrete Solution



BC-2410 w/ BC-10 Ball

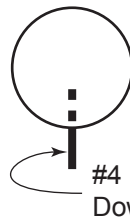
Various Architectural
 Finishes and Colors
 Available



BC-1204
 w/ BC-10
 Ball

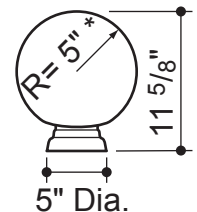
Separate Pedestal and Ball

Any pier cap can be modified to accept a ball finial

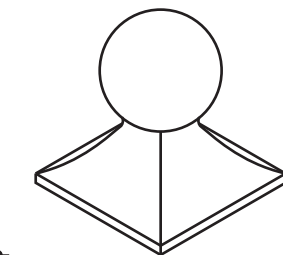
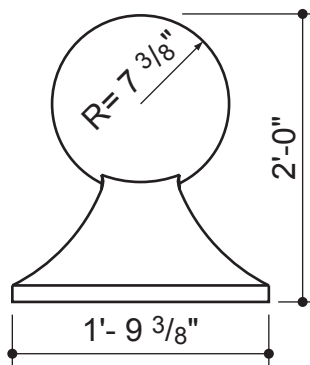


Separate Ball finial Sizes:

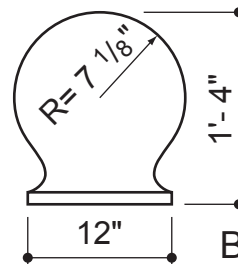
- BC-10 10" Dia.
 - BC-12 12" Dia.
 - BC-14 14" Dia.
 - BC-18 18" Dia.
 - BC-24 24" Dia.
- #4 Rebar Dowel Typ.



5" Dia.
 BC-10 also available with neck

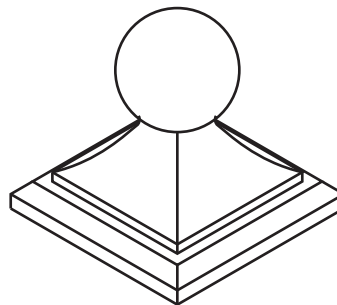
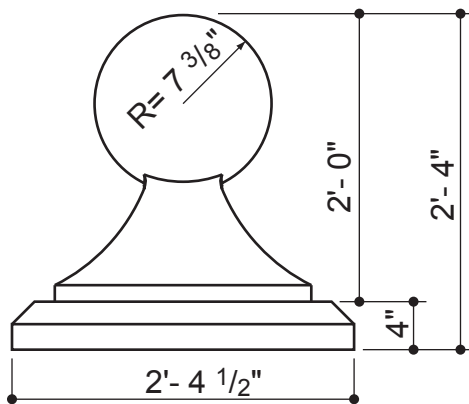


BC-2214

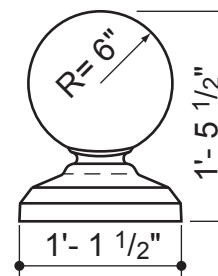
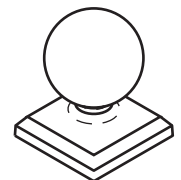


BC-1214

Ball and Pedestals - Additional Base Recommended



BC-2814



BC-1412

Single Piece Ball with Pedestal Base

Ball Finials